

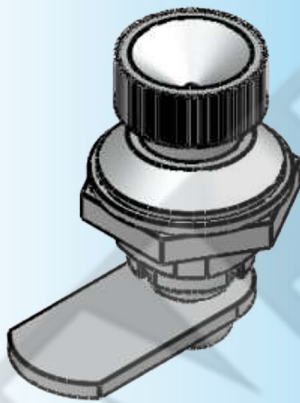
For Product Step File or 3D Model Send a Request Mail To info@nrack.com



Photo View

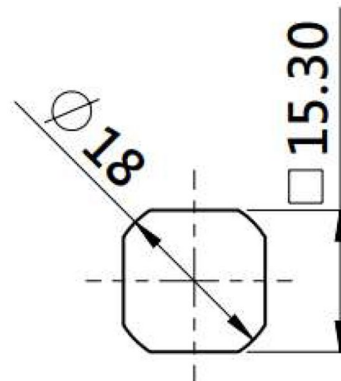
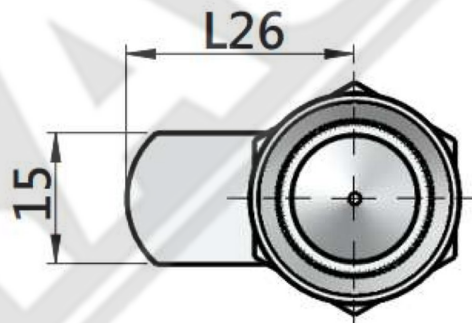
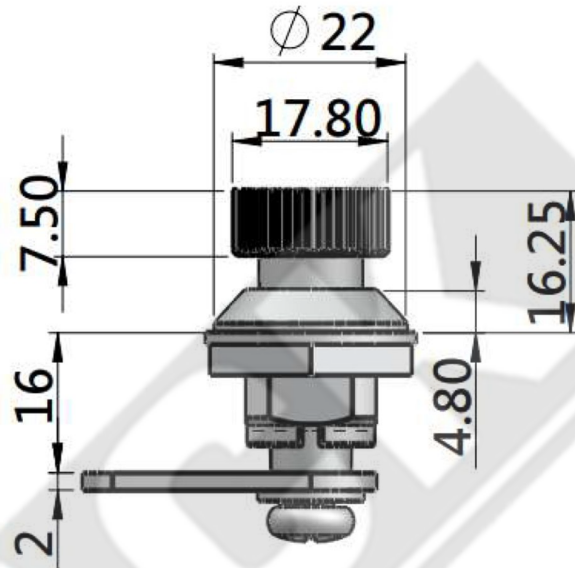


3D Rendered View



MS 433

- Material: Zinc die-casting housing, handle, Zinc plating cam
- Finish: bright chrome plating
- Panel thickness: 1~4mm
- Remark: cam cutout □7X7, 90 Degree positioning



CUT OUT